



## • ED4020 Series.

**DC Brushless fan.**

**Size: 40 x 40 x 20 mm**

**1.6 x 0.8 Inches.**

**Airflow: Max. 9.7 CFM / 0.3 m<sup>3</sup>/min**

**Plastic Impeller / Plastic Frame.**

Model No.	Rated Voltage	Voltage Range	Input Power	Rated Current	Ref Speed	Max. Airflow		Max. Static Pressure		Noise Level	PQ Curves
	VDC	VDC	Watt	Amp	RPM	CFM	m <sup>3</sup> /min	Inch/H <sub>2</sub> O	mm/H <sub>2</sub> O	dB (A)	
ED4020-05H**	5	4~7	1.15	0.23	6500	7.6	0.2	0.17	4.32	30	H
ED4020-05M**	5	4~7	0.9	0.18	5200	6.5	0.2	0.14	3.56	24	M
ED4020-05L**	5	4~7	0.75	0.15	4500	4.8	0.1	0.12	3.05	20	L
ED4020-12HH**	12	8~13.8	1.2	0.1(~0.21)	9000	9.7	0.3	0.38	9.65	33	HH
ED4020-12H**	12	8~13.8	1.2	0.1	6500	7.6	0.2	0.17	4.32	30	H
ED4020-12M**	12	8~13.8	0.96	0.08	5200	6.5	0.2	0.14	3.56	24	M
ED4020-12L**	12	8~14	0.76	0.06	4500	4.8	0.1	0.17	3.05	20	L
ED4020-24HH**	12	12~27.6	1.68	0.07(~0.09)	8200	8.8	0.2	0.32	8.13	32	HH
ED4020-24H**	24	12~27.6	1.68	0.07	6500	7.6	0.2	0.17	4.32	30	H
ED4020-24M**	24	12~28	1.2	0.05	5200	6.5	0.2	0.14	3.56	24	M
ED4020-24L**	24	12~28	1.72	0.03	4500	4.8	0.1	0.12	3.05	20	L

\*\* = "BL" for wire lead type Ball bearing Type.

-We reserve the right to change data and improve electrical & mechanical design without notice. data tolerance +10%

### Motor

Motor Type: Brushless DC Motor, auto cutoff, auto restart optional only

Burnout Protection: Electronically protected, polarity protected

IP Protection: Ratings on request

### Mechanical

Frame: Glass fiber reinforced thermoplastic, rated UL94V-0

Impeller: 7 blades, glass fiber reinforced plastic, rated UL94V-0

Bearing: Two ball bearings

Rotation: CCW seen on rotor

Connection: Wire lead

Weight: 30 g (0.06 Lbs)

### Electrical

Dielectric Strength: 500 VAC/min. Max leakage 500mA

Speed Control: -

Signal Output: Optional: R/D alarm output, tachometer output F/G

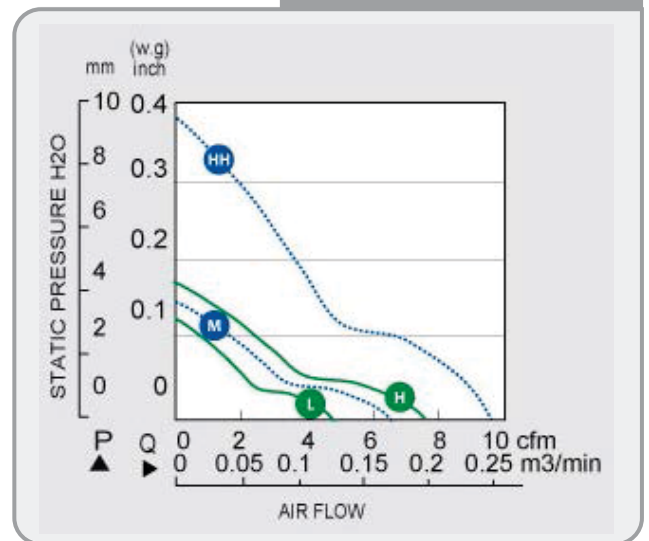
### Environment

Operating Temp: Ambient non-condensing -15°C~+65°C

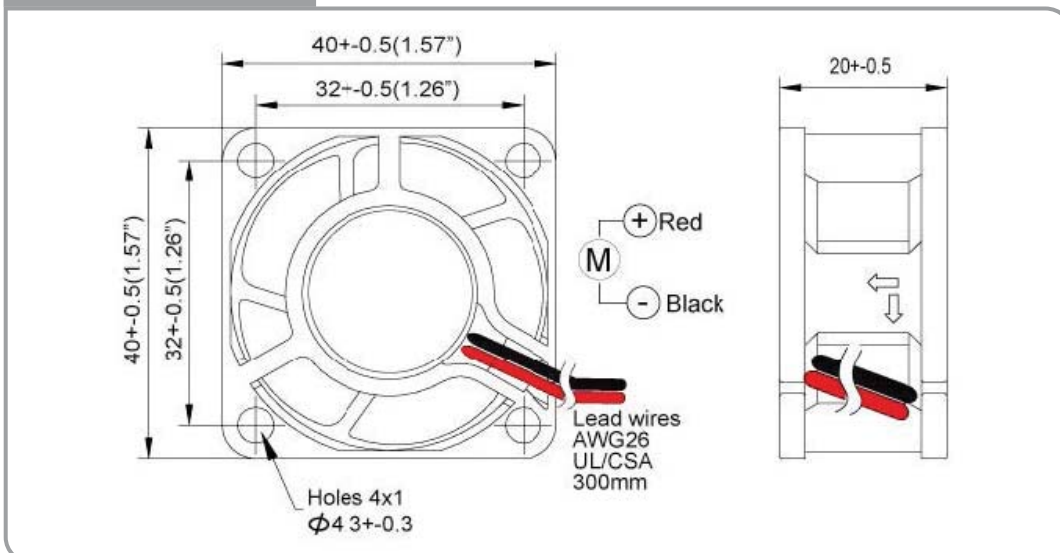
Storage Temp: -25°C~+80°C (at 65%RH)

Life Expectancy: L10 60K hours at 45°C, 50K hours at 60°C

### ▶ Performance P-Q Curves.



### ▶ Outline Dimensions.



### Fan Accessories

